

Driveway Alert[®] Systems

Campers Alert[™] Portable System
Hunters Alert[™] Portable System



USER MANUAL

READ THIS ENTIRE MANUAL PRIOR TO INSTALLATION AND OPERATION

We thank you for purchasing this Driveway Alert[®] System. All our Driveway Alert[®] Systems are proudly manufactured in the USA under strict quality control standards using the best available materials. We hope you will be pleased with its performance all weather construction.

Questions? Problems? Call Technical Support (603) 355-6677

All our Driveway Alert[®] Systems, Components and Accessories are compatible. We offer a wide variety of Sensor-Transmitters and Receivers that can be used in conjunction with all our Driveway Alert[®] Systems. **Don't be surprised – Use Driveway Alert[®].** Monitor your home, yard, barn, garage, business and much more with Driveway Alert[®] Systems.



DRIVEWAY ALERT® SYSTEMS FAMILY

The Only Original Driveway Alert® Systems
Home and Yard Alert™ Multi-Channel Systems
Campers Alert™ and Hunters Alert™ Portable Receivers
Air-Hose Alert™ – Old Gas Station Style Pressure Tube Sensor Transmitter
Magnetic Switch Transmitter for Windows, Doorways and more
Trip Wire Transmitter for Perimeters or Large Valuable Items
High Water and Low Water Sensor Transmitters
Push Button Transmitters, Relay Transmitters
ISA Alert™ Systems for those in need
Mail Delivery Sensor/Transmitters
Thermal Alert™ Systems
Hard Wired Systems

DRIVEWAY ALERT® SYSTEMS AVAILABLE ACCESSORIES

Sound and Light: Siren, Chime, Buzzers, Fire Bell and Strobe Light
More: Event Counter, Relay Module, Relay Outlets, Cables and Power Options

LIMITED LIFETIME WARRANTY

Miltronics Manufacturing, Inc. provides a lifetime warranty on parts and two years on labor. Miltronics guarantees all parts of this product to the original owner against manufacturing or parts defects. This warranty shall not apply to defects resulting from improper installation or use, unauthorized repair and consequent damage, abuse, modification, using in a fashion other than intended, fire, flood or act of God, or on which serial numbers have been altered, defaced or removed. If your unit cannot be repaired, Miltronics may replace it with new or reconditioned merchandise. Miltronics will assume no liability for commercial loss or any kind of damage resulting from malfunction of the product, or resulting from its unsuitable use. In any event liability shall not exceed the original purchase price.

WARRANTY REPAIR POLICY:

The entire system requiring warranty repair must be returned to Miltronics, by prepaid freight, with proof of purchase, a brief description of the problem, your email address and a daytime phone number to contact you if necessary. Beginning with year three of this warranty a minimal labor fee will apply. A handling fee will apply to products sent to Miltronics that are not covered under warranty.

CUSTOMER RETURN POLICY

Return of unused product must be done within 30 days of purchase. Shipping and handling charges are not refundable. A 20% restock fee may apply.

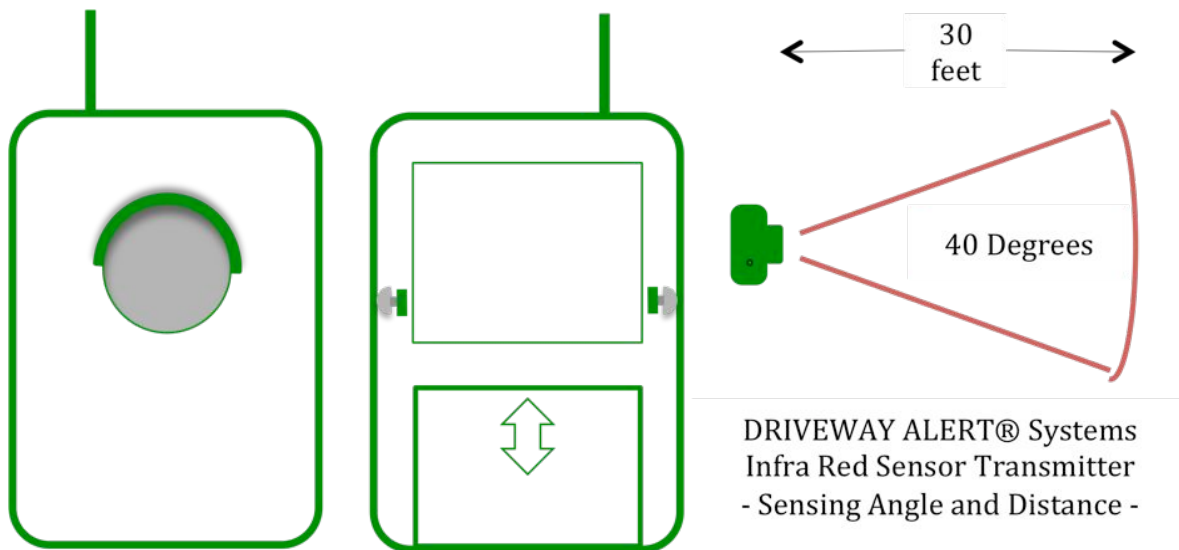
MILTRONICS Manufacturing, Inc.
95 Krif Road, Keene, NH 03431
Sales & Info 1-888-NH-ALERT
Technical Support 1-603-355-6677

CAMPERS/HUNTERS ALERT™ SYSTEM - KIT CONTENTS:

Campers/Hunters Alert® Portable Receiver, 9-Volt Battery
Two Campers/Hunters Alert® Infra Red Sensor Transmitter with Metal Mounting Brackets, Mounting Screws, Bungee Cords, Eye-Bolts and a 9-Volt Batteries

INFRA RED SENSOR TRANSMITTER OPERATION AND INSTALLATION:

The infra red sensor is positioned behind the round IR filter lens. It has a horizontal detection angle of 40 degrees and a detection range of over 30 feet. **See diagram below.** The optimum target range is 10 to 15 feet from the Sensor Transmitter. The infra red sensor detects vehicles, intruders, etc., by sensing their heat and motion. When a vehicle or large warm object moves through the detection zone, the Infra Red Sensor Transmitter detects the intrusion and transmits a signal to the receiver. When the battery's voltage has dropped below the sensor's required operating voltage, transmissions are sent to the Receiver until the battery voltage becomes too low to transmit.



First, install a **high quality 9-volt alkaline battery** in the compartment located in back of the sensor case. Securely close the battery cover. The Battery will last about six months under normal use. Mount the sensor approximately 2 to 3 feet above the ground and about 10 feet from the expected target. Mount to something stable like a tree or wooden post. Your Transmitters have several mounting options. A Metal Mounting Bracket, Mounting Screws and Bungee cords are provided. **Refer to the System Set-Up on page 8 for placement.** Perform the "Walk Test" (see page 5) prior to mounting permanently.

The Sensor Transmitter's IR Lens and infra red sensor must have an unobstructed view of the detection area that is free of plants, shrubs and branches. Take care not to touch the Lens or allow the Lens to get damaged. Straighten and extend the flexible antenna straight upward. Some objects may not be detected if the sensor is placed too high or too low. **Adjusting may be required prior to calling for technical support. Keep the sensor as close to the edge of the detection zone as possible.** The sensor should be strategically located so that it detects objects moving across its detection zone. Do not mount the sensor facing the sun, bodies of water or any large reflective objects. This causes variations in the temperature pattern "seen" by the sensor windows and may cause false alarms or damage the lens.

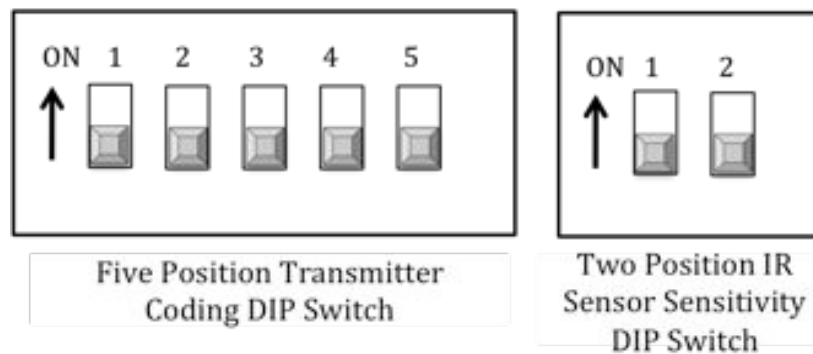
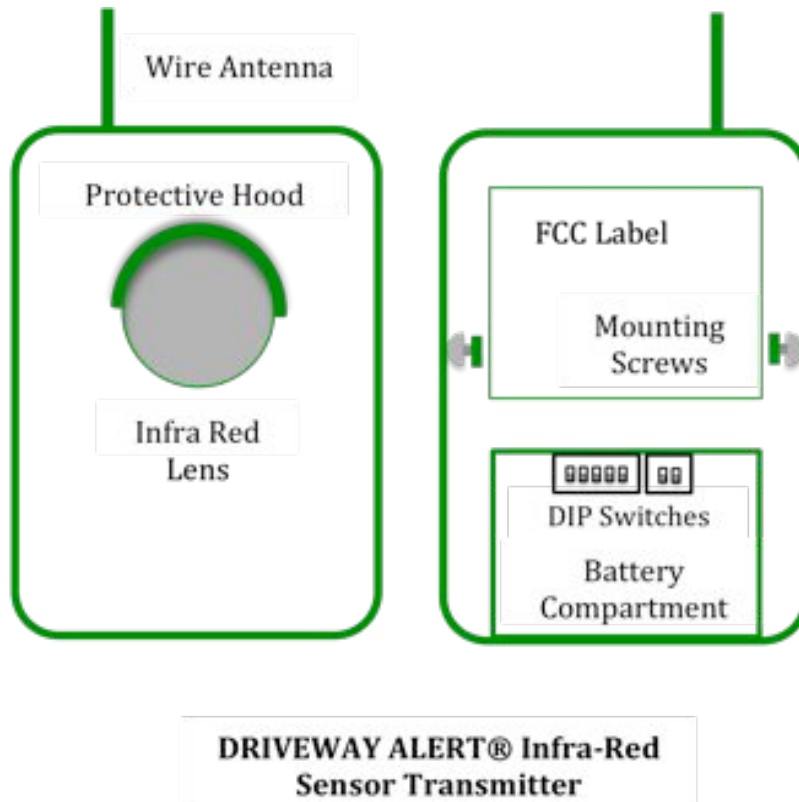
PLEASE NOTE: A shorter transmission range may occur when the outside temperature falls below 20 degrees F. due to a natural drop in battery voltage. Lower sensitivity may occur during periods of heavy fog, rain or snow. This is due to the moisture diffusing the infra red energy. The Sensor Transmitters are completely weatherproof and will operate to -40 degrees Fahrenheit.

TRANSMITTER CODING ADJUSTMENT:

The system coding is factory pre-set and should be adjusted only in the event of interference from another source. Remove the battery cover to access the Five Position Coding DIP-Switch. The DIP-Switch settings in the Sensor/Transmitter must match the settings in the Receiver. **See diagram below.**

SENSOR SENSITIVITY ADJUSTMENT:

The Infra Red Sensor is located in the Transmitter Case behind the Infra Red Lens. There is a two-position DIP-switch to adjust the Sensor's Infra Red Sensitivity. This is factory pre-set and should not be adjusted without consulting with Technical Support. In typical installations, changing these settings will cause extremely erratic system behavior. **See diagram below.**



RECEIVER OPERATION AND INSTALLATION:

Install a high quality 9-volt alkaline battery. Place the Belt Clip into the “stand up” position by following the instructions imprinted on the Belt Clip. Remove the Battery Cover by pressing down on the grooved area and sliding the cover off. Install the battery, replace the battery cover and return the Belt Clip to the normal position if desired. The battery can last up to 30 days in the stand-by mode. Battery life will decrease based on the amount of transmissions received and the Receiver’s response settings (Vibrate or Tone). For best results use fresh, new batteries. Next, attach the rigid bayonet mount antenna to the connector on the Receiver. **See diagrams on page 6 and 7.** When the battery voltage decreases below the operating level needed, the Event Diode will flash once every 5 seconds. The Receiver will vibrate or sound the Alert Tone and the Event Diode will illuminate when the sensor is activated and the transmitted signal is received. The Receiver’s responses will reset after five seconds. The responses will alert you with every sensed intrusion and as long as activity is sensed in the Detection Zone.



Campers Alert™ Portable Receiver



Hunters Alert™ Portable Receiver

Turn the Receiver on by moving the ON/OFF Switch to the “Vibrate” or “Tone” position. In order to extend the Receiver’s battery life, energy savings features are built in. During system set-up, you may notice a slight delay between a detected event and the Receiver’s activation.

110-Volt Power Option: The Campers Alert™ and Hunters Alert™ Systems are available with a 110-Volt power jack and a 110-Volt Transformer to operate the Receiver on 110-Volt household current. This option is ONLY available at the time of order and CAN NOT be purchased to add on to existing non-powered Portable Receivers. Any modification or use of unauthorized parts or transformers will damage your Receiver and void its warranty.

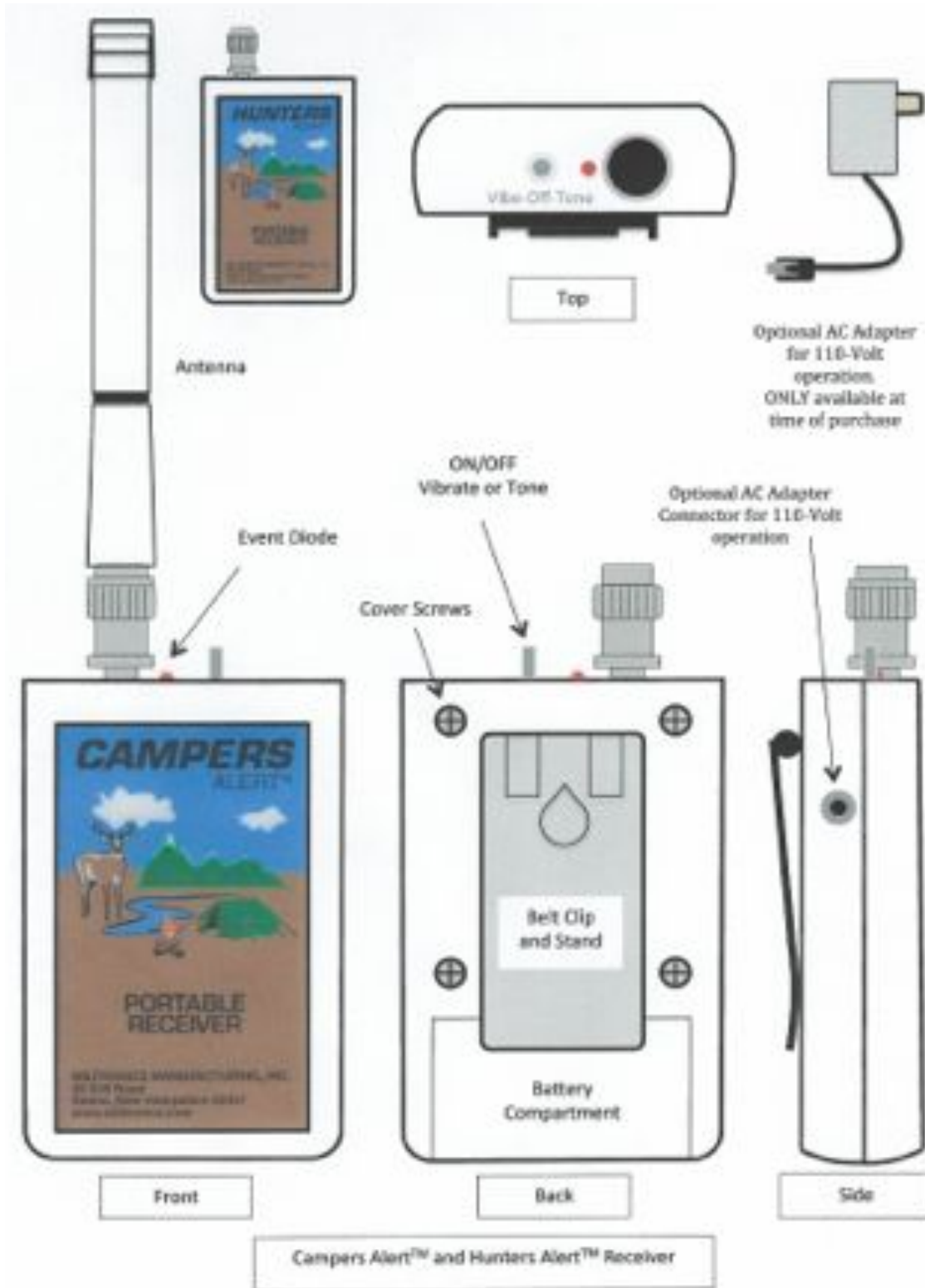
In **unobstructed** space, the reception range can reach up to 1,000. Range may be reduced by certain obstructions such as; metal buildings, dense woods, brick walls, etc. For maximum range, locate the receiver in an area with some direct visibility to the sensor.

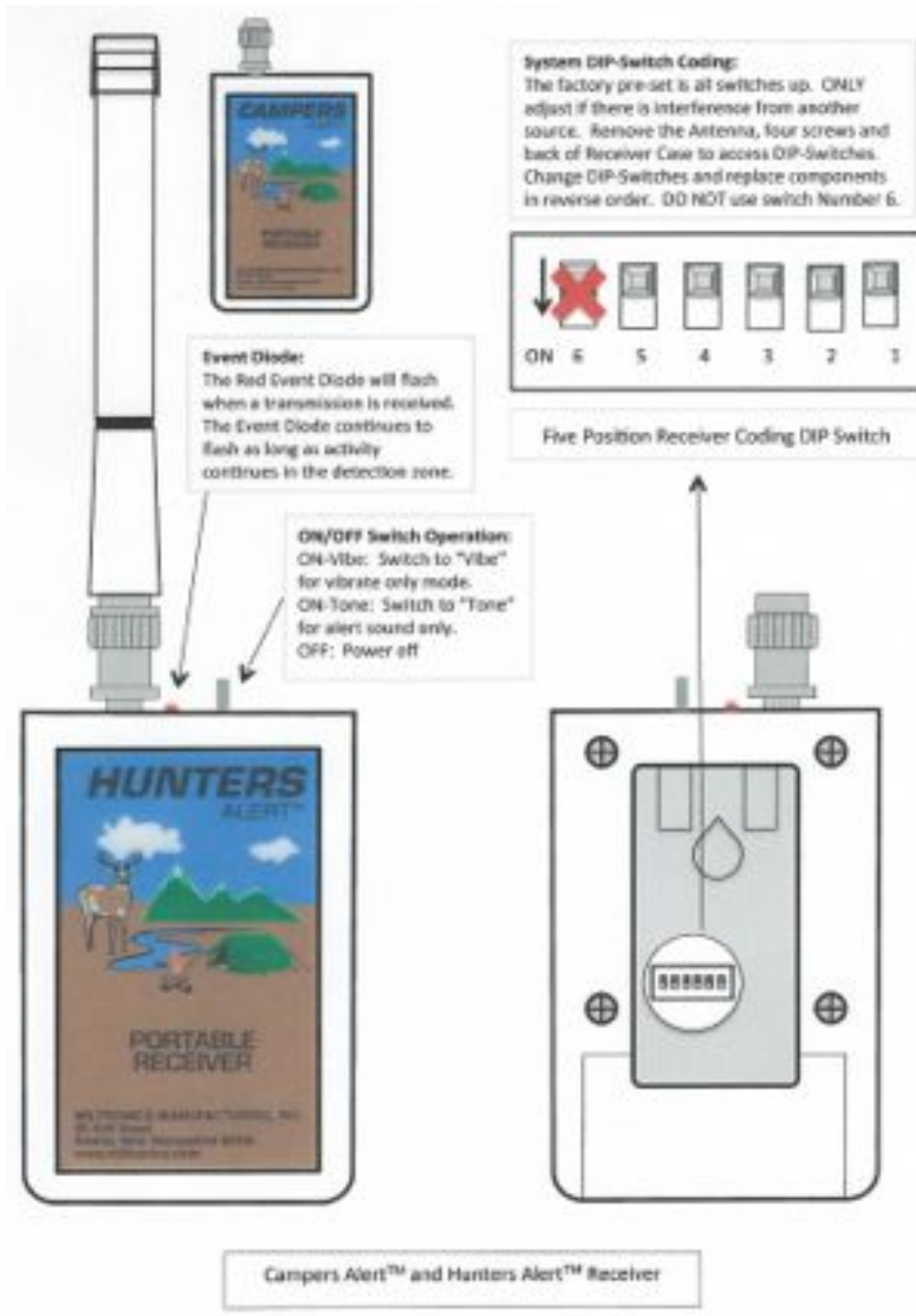
RECEIVER CODING ADJUSTMENT:

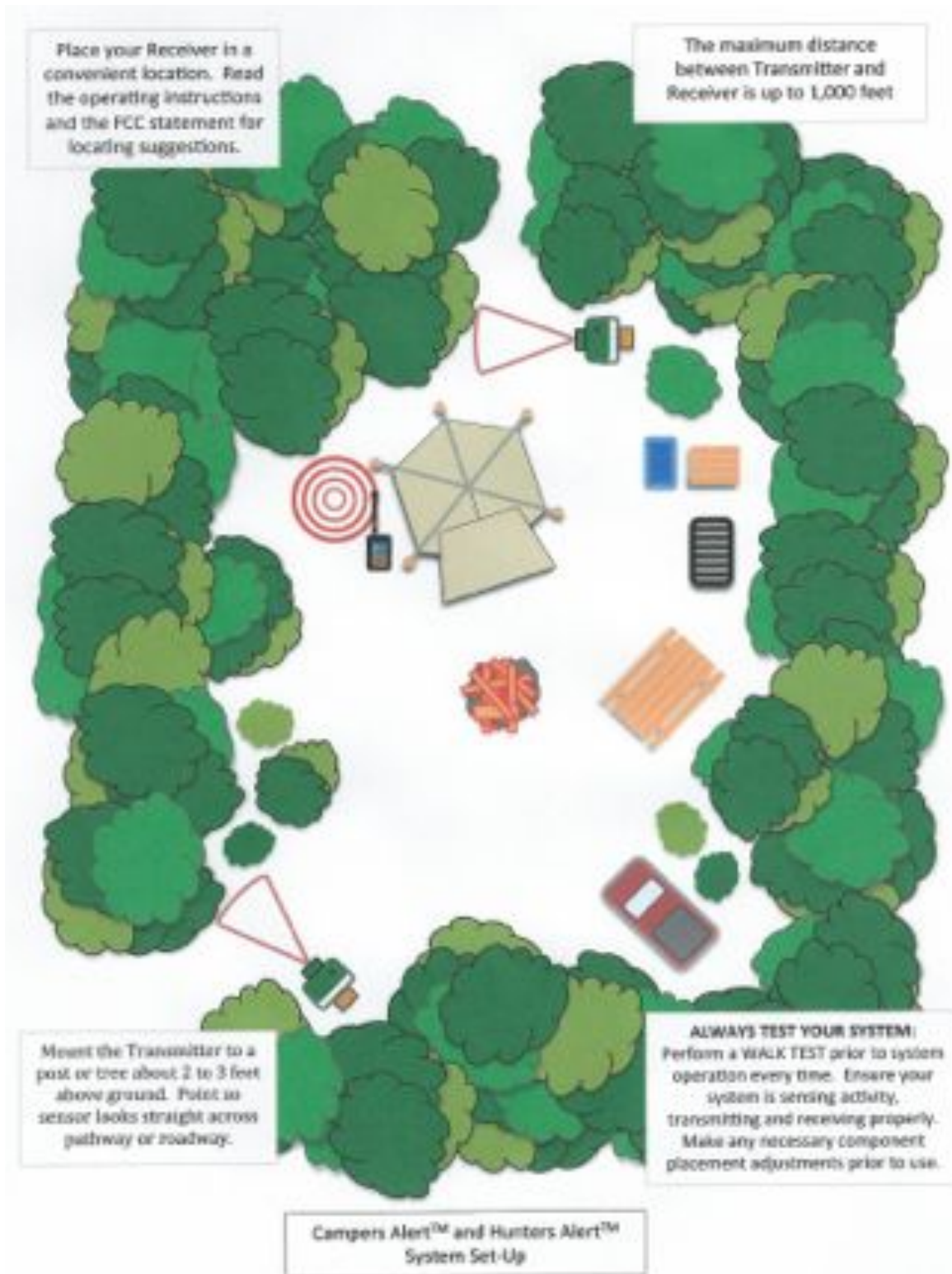
The system coding is factory pre-set and should be adjusted only in the event of interference from another source. **See diagram on page 7.** The DIP-Switch settings in the Receiver must match the settings in the Sensor/Transmitter. Replace the cover, screws and Antenna prior to operation.

WALK TEST:

After setting up your system, perform a “Walk Test” to ensure proper system operation. Walk and drive through the detection area and have someone listen for the receiver to sound. The Sensor Transmitter and/or the Receiver can then easily be repositioned if not performing as desired. See the FCC Statement at the end of this Manual for more information.









Driveway Alert® Systems Troubleshooting Guide:

When your system is operating properly, there are three main functions being performed. First, the passive Infra Red Sensor detects a vehicle or other warm object passing through the detection zone. Second, once an object is detected, the Transmitter sends a signal. Third, the Receiver gets the transmitted signal from the Sensor Transmitter and activates the Alert Tone and the Event Diode at the Receiver. If your system is not working as expected, review this troubleshooting guide and keep in mind there are three different functions to consider. As you troubleshoot and alleviate various adverse conditions, it is best to have someone help you perform the Walk Tests.

There are also two extremely important environmental issues that must be considered. First, as with all passive infra red devices, certain conditions and acts of nature may cause false alarms or reduced sensitivity. Reflective objects directing sunlight at the Sensor Transmitter Lens can cause false alarms. Certain weather conditions such as: heavy fog, rain or snow can diffuse an object's infra red energy enough so that the object can not be detected.

Second, and most important, many household appliances induce noise into the household electrical lines and outlets. In order to maximize the range between the Receiver and Transmitter, our Receives are highly tuned and very sensitive. When possible, isolate the Receiver on its own circuit or a circuit that has minimal use by other devices. LED Lighting and LED TVs induce a tremendous amount of electrical noise into household circuits. Computers and motors create a high level of electrical noise. Other wireless electronic devices, such as; garage door openers and Wi-Fi networks, can transmit wireless signals that interfere or create false alarms in your Driveway Alert® System.

PROBLEM: My Receiver will not activate when objects pass through the sensor detection zone.

CORRECT THE ADVERSE CONDITIONS THAT EXIST:

- The Battery in the Sensor Transmitter is not a new high quality alkaline battery.
- The Battery in the Sensor Transmitter is depleted below the voltage required to sense and transmit.
- The Sensor Transmitter's detection zone is not clear of obstructions.
- The Sensor Transmitter is not mounted one to two feet from driveway edge.
- The Sensor Transmitter is not mounted so the Lens is 2 to 2 ½ feet about the driveway surface.
- The Sensor Transmitter is not pointed straight across the driveway.
- The Sensor Transmitter Lens is not perpendicular to the object's travel.
- The Sensor Transmitter is either pointed upward or downward and not level.
- The Sensor Transmitter is out of range and the signal is too weak to be received.
- The Sensor Transmitter is very close to the Receiver.
- The transmitted signal does not have a clear path to the Receiver for maximum unobstructed reception.
- The transmitted signal is not propagating through the dense trees for maximum unobstructed reception.
- The transmitted signal is not propagating through dense earth, rock or cement.
- The Receiver is behind or shrouded by thick or dense walls.
- The Receiver is plugged into an outlet with other devices or appliances.
- The Receiver is plugged into the same circuit with other devices or appliances.
- The Receiver is obstructed and not placed near a window for maximum unobstructed reception.
- The Receiver Battery is depleted below its operating voltage (Portable Receivers Only).
- There is interference in the area and the system coding needs to be changed.

PROBLEM: My Receiver activates when nothing passes through the sensor detection zone.

CORRECT THE ADVERSE CONDITIONS THAT EXIST:

- The Battery in the Sensor Transmitter is not a new high quality alkaline battery.
- The Battery in the Sensor Transmitter is depleted below the voltage required to sense activity.
- The Sensor Transmitter is not securely mounted and is shaking or moving slightly.
- The sun is shining directly into the Sensor Transmitter Lens.
- The sun is reflecting off large reflective objects into the Sensor Transmitter Lens.
- Objects free to move in the wind (bushes, small trees, etc.) are in the sensor's detection zone.

PROBLEM: My Receiver is constantly activated.

CORRECT THE ADVERSE CONDITIONS THAT EXIST:

- The Battery in the Sensor Transmitter is not a new high quality alkaline battery.
- The Battery in the Sensor Transmitter is depleted below the voltage required to sense activity.
- There is interference in the area and the system coding needs to be changed.

Still have problems or questions? Call Technical Support (603) 355-6677



CAUTION: Changes or modifications not expressly approved by Miltronics could void the user's warranty and authority to operate this device.

FCC STATEMENT: This device complies with part 15 of the FCC Rules. Operation is subject to the following two conditions: (1) This device may not cause harmful interference, and (2) This device must accept any interference received, including interference that may cause undesired operation.

This equipment has been tested and found to comply with the limits for an intentional radiator pursuant to Part 15 of the FCC Rules. These limits are designed to provide reasonable protection against harmful interference in a residential installation. This equipment generates, uses, and can radiate radio frequency energy and if not installed and used in accordance with the instructions may cause harmful interference to radio communications. However, there is no guarantee that interference will not occur in a particular installation. If this equipment does cause interference to radio or television reception, which can be determined by turning the equipment off and on, the user is encouraged to try to correct the interference by one or more of the following measures:

- Reorient or relocate the receiving antenna
- Increase the separation between the equipment and receiver
- Connect the equipment into an outlet on a circuit different from that to which the receiver is connected
- Consult the dealer or an experienced radio/TV technician for help



Miltronics Manufacturing., Inc.
95 Krif Road, Keene, NH 03431 USA
Sales: (800) 828-9089
Offices: (603) 352-3333
Fax (603) 352-3333
info@miltronics.com

